

# NB4L339

## 2.5 V / 3.3 V Differential 2:1 Clock IN to Differential LVPECL Clock Generator / Divider / Fan-Out Buffer

### Multi-Level Inputs w/ Internal Termination

#### Description

The NB4L339 is a multi-function Clock generator featuring a 2:1 Clock multiplexer front end and simultaneously outputs a selection of four different divide ratios from its four divider blocks;  $\div 1/\div 2/\div 4/\div 8$ . One divide block has a choice of  $\div 1$  or  $\div 2$ .

The output of each divider block is fanned-out to two identical differential LVPECL copies of the selected clock. All outputs provide standard LVPECL voltage levels when externally terminated with a 50-ohm resistor to  $V_{CC} - 2\text{ V}$ .

The differential Clock inputs incorporate internal 50- $\Omega$  termination resistors and will accept LVPECL, CML or LVDS logic levels.

The common Output Enable pin (EN) is synchronous so that the internal dividers will only be enabled/disabled when the internal clock is in the LOW state. This avoids any chance of generating a runt clock pulse on the internal clock when the device is enabled/disabled as can happen with an asynchronous control. An internal runt pulse could lead to losing synchronization between the internal divider stages. The internal enable flip-flop is clocked on the falling edge of the input clock. Therefore, all associated specification limits are referenced to the negative edge of the clock input.

This device is housed in a 5x5 mm 32 pin QFN package.

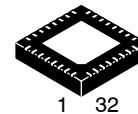
#### Features

- Maximum Input/Output Clock Frequency > 700 MHz
- Low Skew LVPECL Outputs, 15 ps typical
- 1 ns Typical Propagation Delay
- 150 ps Typical Rise and Fall Times
- 0.15 ps Typical RMS Phase Jitter
- 0.5 ps Typical RMS Random Clock Period Jitter
- LVPECL, CML or LVDS Input Compatible
- Operating Range:  $V_{CC} = 2.375\text{ V}$  to  $3.6\text{ V}$  with  $V_{EE} = 0\text{ V}$
- LVPECL Output Level; 750 mV Peak-to-Peak, Typical
- Internal 50- $\Omega$  Input Termination Provided
- Synchronous Output Enable/Disable
- Asynchronous Master Reset
- Functionally Compatible with Existing 2.5 V / 3.3 V LVEL, LVEP, EP, and SG Devices
- -40°C to 85°C Ambient Operating Temperature
- 32-Pin QFN, 5 mm x 5 mm
- This is a Pb-Free Device



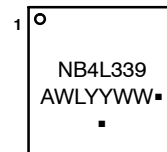
ON Semiconductor®

<http://onsemi.com>



QFN32  
MN SUFFIX  
CASE 488AM

#### MARKING DIAGRAM



A = Assembly Location  
WL = Wafer Lot  
YY = Year  
WW = Work Week  
▪ = Pb-Free Package

(Note: Microdot may be in either location)

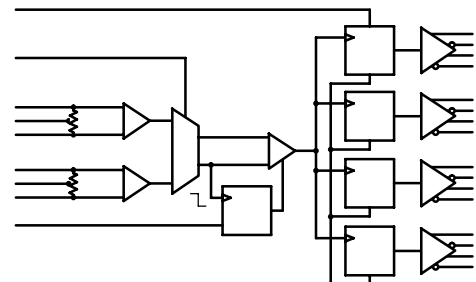


Figure 1. Simplified Block Diagram

#### ORDERING INFORMATION

See detailed ordering and shipping information on page 11 of this data sheet.

# NB4L339

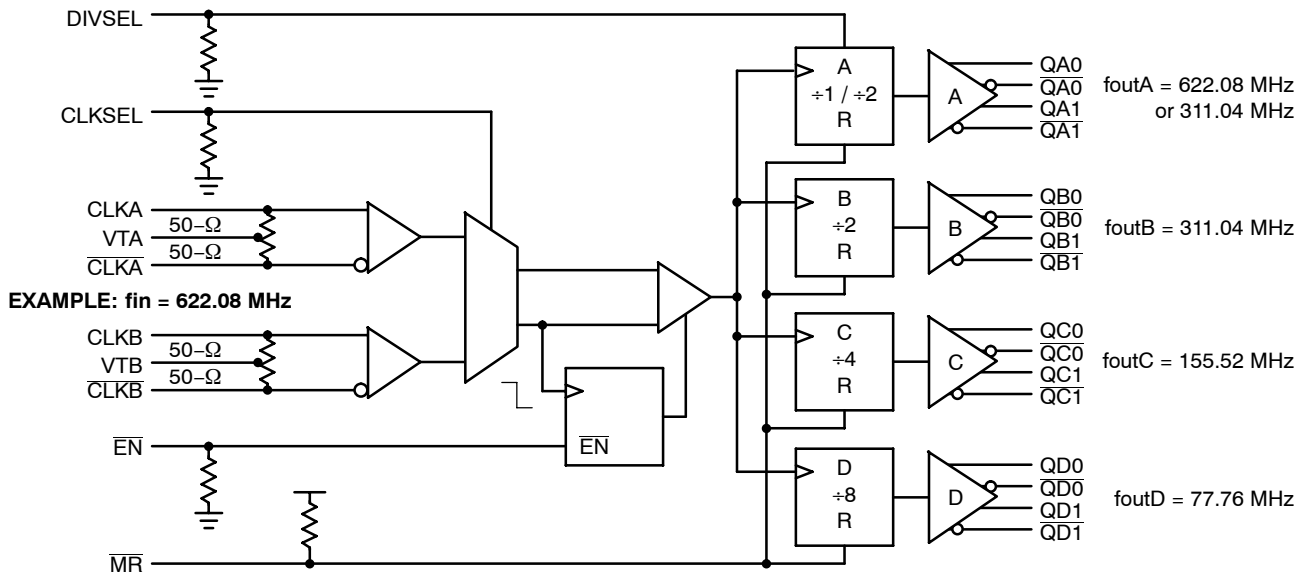


Figure 2. Detailed Logic Diagram

Table 1. Input Select Function Table

| CLKSEL* | CLK Input Selected |
|---------|--------------------|
| 0       | CLKA               |
| 1       | CLKB               |

Table 2. Divider Select Function Table

| DIVSEL* | QA Divide   |
|---------|-------------|
| 0       | Divide by 1 |
| 1       | Divide by 2 |

Table 3. Clock Enable/Disable Function Table

| CLK Input              | EN*            | MR** | Function                  |
|------------------------|----------------|------|---------------------------|
| Low to High Transition | 0              | H    | Divide – Outputs Active   |
| High to Low Transition | 1              | H    | Hold Q – Outputs Inactive |
| X (Don't Care)         | X (Don't Care) | L    | Reset Q                   |

\* Pin will default LOW when left OPEN.

\*\* Pin will default HIGH when left OPEN.

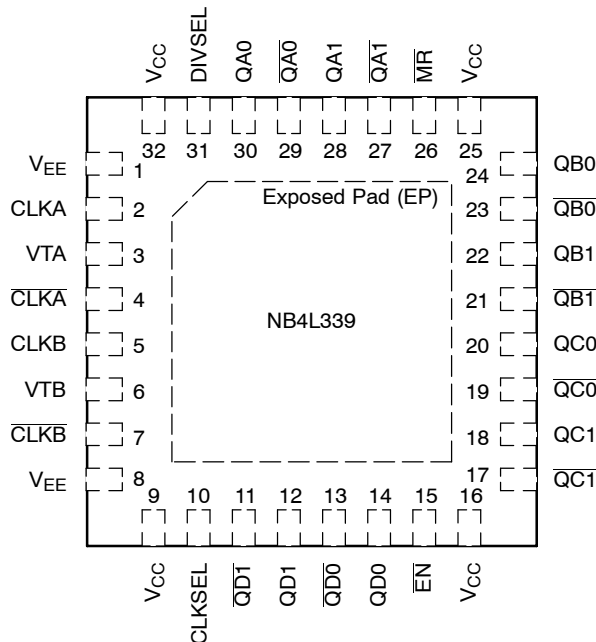


Figure 3. Pinout QFN-32 (Top View)

Table 4. Pin Description

| Pin           | Name                     | I/O                     | Description   |
|---------------|--------------------------|-------------------------|---|
| 1, 8, EP      | V <sub>EE</sub>          | -                       | Negative Supply Voltage   |
| 2             | CLKA                     | LVPECL, CML, LVDS Input | Non-inverted differential input (A). (Note 1)   |
| 3             | VTA                      | -                       | Internal 100-Ω center-tapped termination pin for CLKA and $\overline{\text{CLKA}}$ (Note 1).  |
| 4             | $\overline{\text{CLKA}}$ | LVPECL, CML, LVDS Input | Inverted differential input (A). (Note 1)   |
| 5             | CLKB                     | LVPECL, CML, LVDS Input | Non-inverted differential input (B). (Note 1)   |
| 6             | VTB                      | -                       | Internal 100-Ω center-tapped termination pin for CLKB and $\overline{\text{CLKB}}$ . (Note 1)   |
| 7             | $\overline{\text{CLKB}}$ | LVPECL, CML, LVDS Input | Inverted differential input (B). (Note 1)   |
| 9, 16, 25, 32 | V <sub>CC</sub>          | -                       | Positive Supply Voltage   |
| 10            | CLKSEL                   | LVC MOS/LVTTL           | Asynchronous Clock input select pin. This pin defaults LOW when left open with 80 kΩ resistor to V <sub>EE</sub> .  |
| 11            | $\overline{\text{QD1}}$  | LVPECL Output           | Inverted differential (D1) output. Typically terminated with 50 Ω resistor to V <sub>CC</sub> - 2 V   |
| 12            | QD1                      | LVPECL Output           | Non-inverted Differential (D1) Output. Typically terminated with 50 Ω resistor to V <sub>CC</sub> - 2 V.  |
| 13            | $\overline{\text{QD0}}$  | LVPECL Output           | Inverted differential (D0) output. Typically terminated with 50 Ω resistor to V <sub>CC</sub> - 2 V.  |
| 14            | QD0                      | LVPECL Output           | Non-inverted Differential (D0) Output. Typically terminated with 50 Ω resistor to V <sub>CC</sub> - 2 V.  |
| 15            | $\overline{\text{EN}}$   | LVC MOS/LVTTL           | Synchronous Output Enable/Disable pin. This pin defaults LOW when left open with 80 kΩ resistor to V <sub>EE</sub> .  |
| 17            | $\overline{\text{QC1}}$  | LVPECL Output           | Inverted differential (C1) output. Typically terminated with 50 Ω resistor to V <sub>CC</sub> - 2 V.  |
| 18            | QC1                      | LVPECL Output           | Non-inverted Differential (C1) Output. Typically terminated with 50 Ω resistor to V <sub>CC</sub> - 2 V.  |
| 19            | $\overline{\text{QC0}}$  | LVPECL Output           | Inverted differential (C0) output. Typically terminated with 50 Ω resistor to V <sub>CC</sub> - 2 V.  |
| 20            | QC0                      | LVPECL Output           | Non-inverted Differential (C0) Output. Typically terminated with 50 Ω resistor to V <sub>CC</sub> - 2 V.  |
| 21            | $\overline{\text{QB1}}$  | LVPECL Output           | Inverted differential (B1) output. Typically terminated with 50 Ω resistor to V <sub>CC</sub> - 2 V.  |
| 22            | QB1                      | LVPECL Output           | Non-inverted Differential (B1) Output. Typically terminated with 50 Ω resistor to V <sub>CC</sub> - 2 V.  |
| 23            | $\overline{\text{QB0}}$  | LVPECL Output           | Inverted differential (B0) output. Typically terminated with 50 Ω resistor to V <sub>CC</sub> - 2 V.  |
| 24            | QB0                      | LVPECL Output           | Non-inverted Differential (B0) Output. Typically terminated with 50 Ω resistor to V <sub>CC</sub> - 2 V.  |
| 26            | MR                       | LVC MOS/LVTTL           | Master Reset Asynchronous. This pin defaults HIGH when left open with 80 kΩ resistor to V <sub>CC</sub> .   |
| 27            | $\overline{\text{QA1}}$  | LVPECL Output           | Inverted differential (A1) output. Typically terminated with 50 Ω resistor to V <sub>CC</sub> - 2 V.  |
| 28            | QA1                      | LVPECL Output           | Non-inverted Differential (A1) Output. Typically terminated with 50 Ω resistor to V <sub>CC</sub> - 2 V.  |
| 29            | $\overline{\text{QA0}}$  | LVPECL Output           | Inverted differential (A0) output. Typically terminated with 50 Ω resistor to V <sub>CC</sub> - 2 V.  |
| 30            | QA0                      | LVPECL Output           | Non-inverted Differential (A0) Output. Typically terminated with 50 Ω resistor to V <sub>CC</sub> - 2 V.  |
| 31            | DIVSEL                   | LVC MOS/LVTTL           | Asynchronous Divide Select Pin selects A divide block outputs to divide by 1 or divide by 2. Defaults LOW when left open, divide-by-1, with 80 kΩ resistor to V <sub>EE</sub> .   |
| -             | EP                       | -                       | Exposed Pad. The exposed pad (EP) on package bottom (see case drawing) is thermally connected to the die for improved heat transfer out of package and must be attached to a heat-sinking conduit. The pad is electrically connected to V <sub>EE</sub> and must be connected to V <sub>EE</sub> on the PC board. |

1. In the differential configuration when the input termination pin ( $\overline{\text{VTx}} / \overline{\text{VTx}}$ ) are connected to a common termination voltage or left open, and if no signal is applied on CLKx /  $\overline{\text{CLKx}}$  input then the device will be susceptible to self-oscillation.

# NB4L339

**Table 5. ATTRIBUTES**

| Characteristics  |                                   | Value                |
|--|-----------------------------------|----------------------|
| Input Default State Resistors                          |                                   | 80 k $\Omega$        |
| ESD Protection   | Human Body Model<br>Machine Model | > 2.0 kV<br>> 100 V  |
| Moisture Sensitivity (Note 2)                          | QFN-32                            | Level 1              |
| Flammability Rating                                    | Oxygen Index: 28 to 34            | UL 94 V-0 @ 0.125 in |
| Transistor Count                                       |                                   | 366                  |
| Meets or exceeds JEDEC Spec EIA/JESD78 IC Latchup Test |                                   |                      |

2. For additional information, see Application Note AND8003/D.

**Table 6. MAXIMUM RATINGS**

| Symbol               | Parameter   | Condition 1           | Condition 2   | Rating      | Units                       |
|----------------------|---|-----------------------|---|-------------|-----------------------------|
| V <sub>CC</sub>      | Positive Power Supply   | V <sub>EE</sub> = 0 V |   | 4.0         | V                           |
| V <sub>IO</sub>      | Input/Output Voltage  | V <sub>EE</sub> = 0 V | -0.5 = V <sub>io</sub> $\leq$ V <sub>CC</sub> + 0.5 | 4.0         | V                           |
| V <sub>INPP</sub>    | Differential Input Voltage Swing  CLK - $\overline{\text{CLK}}$ |                       |   | 2.8         | V                           |
| I <sub>IN</sub>      | Input Current Through R <sub>T</sub> (50 $\Omega$ Resistor)     | Static<br>Surge       |   | 45<br>80    | mA                          |
| I <sub>OUT</sub>     | Output Current  | Continuous<br>Surge   |   | 50<br>100   | mA                          |
| T <sub>A</sub>       | Operating Temperature Range                                     | QFN-32                |   | -40 to +85  | $^{\circ}\text{C}$          |
| T <sub>stg</sub>     | Storage Temperature Range                                       |                       |   | -65 to +150 | $^{\circ}\text{C}$          |
| $\theta_{\text{JA}}$ | Thermal Resistance (Junction-to-Ambient) (Note 3)               | 0 LFPM<br>500 LFPM    | QFN-32<br>QFN-32                                    | 31<br>27    | $^{\circ}\text{C}/\text{W}$ |
| $\theta_{\text{JC}}$ | Thermal Resistance (Junction-to-Case)                           | (Note 3)              | QFN-32  | 12          | $^{\circ}\text{C}/\text{W}$ |
| T <sub>sol</sub>     | Wave Solder (Pb-Free)   |                       |   | 265         | $^{\circ}\text{C}$          |

Stresses exceeding Maximum Ratings may damage the device. Maximum Ratings are stress ratings only. Functional operation above the Recommended Operating Conditions is not implied. Extended exposure to stresses above the Recommended Operating Conditions may affect device reliability.

3. JEDEC standard multilayer board - 2S2P (2 signal, 2 power) with 8 filled thermal vias under exposed pad.

# NB4L339

**Table 7. DC CHARACTERISTICS, CLOCK Inputs, LVPECL Outputs**

$V_{CC} = 2.375\text{ V to }3.6\text{ V}$ ,  $V_{EE} = 0\text{ V}$ ,  $T_A = -40^\circ\text{C to }+85^\circ\text{C}$  (Note 5)

| Symbol   | Characteristic                                 | Min | Typ | Max | Unit |
|----------|--|-----|-----|-----|------|
| $I_{EE}$ | Power Supply Current (Inputs and Outputs Open) | 58  | 70  | 90  | mA   |

**LVPECL Outputs (Note 4)**

|          |                     |                         |                 |                 |                 |    |
|----------|---------------------|-------------------------|-----------------|-----------------|-----------------|----|
| $V_{OH}$ | Output HIGH Voltage | $V_{CC} = 3.3\text{ V}$ | $V_{CC} - 1135$ | $V_{CC} - 1020$ | $V_{CC} - 760$  | mV |
|          |                     | $V_{CC} = 2.5\text{ V}$ | 2155            | 2280            | 2540            |    |
| $V_{OL}$ | Output LOW Voltage  | $V_{CC} = 3.3\text{ V}$ | $V_{CC} - 1935$ | $V_{CC} - 1770$ | $V_{CC} - 1560$ | mV |
|          |                     | $V_{CC} = 2.5\text{ V}$ | 1355            | 1530            | 1740            |    |
|          |                     |                         | 555             | 730             | 940             |    |

**Differential Input Driven Single-Ended (see Figures 6 & 8)**

|           |  |               |  |               |    |
|-----------|--|---------------|--|---------------|----|
| $V_{th}$  | Input Threshold Reference Voltage Range (Note 6) | 1125          |  | $V_{CC} - 75$ | mV |
| $V_{IH}$  | Single-ended Input HIGH Voltage                  | $V_{th} + 75$ |  | $V_{CC}$      | mV |
| $V_{IL}$  | Single-ended Input LOW Voltage                   | $V_{EE}$      |  | $V_{th} - 75$ | mV |
| $V_{ISE}$ | Single-ended Input Voltage ( $V_{IH} - V_{IL}$ ) | 150           |  | 2800          | mV |

**Differential Inputs Driven Differentially (see Figures 7 & 9)**

|           |   |          |  |                |               |
|-----------|---|----------|--|----------------|---------------|
| $V_{IHD}$ | Differential Input HIGH Voltage                               | 1200     |  | $V_{CC}$       | mV            |
| $V_{ILD}$ | Differential Input LOW Voltage                                | $V_{EE}$ |  | $V_{CC} - 150$ | mV            |
| $V_{CMR}$ | Input Common Mode Range (Differential Configuration) (Note 8) | 1125     |  | $V_{CC} - 75$  | mV            |
| $V_{ID}$  | Differential Input Voltage Swing ( $V_{IHD} - V_{ILD}$ )      | 150      |  | 2800           | mV            |
| $I_{IH}$  | Input HIGH Current CLKx / $\overline{\text{CLKx}}$ (VTx Open) | 10       |  | 40             | $\mu\text{A}$ |
| $I_{IL}$  | Input LOW Current CLKx / $\overline{\text{CLKx}}$ (VTx Open)  | -10      |  | 10             | $\mu\text{A}$ |

**Single-Ended LVCMOS / LVTTL Control Inputs**

|          |   |          |  |          |               |
|----------|---|----------|--|----------|---------------|
| $V_{IH}$ | Single-ended Input HIGH Voltage                                 | 2000     |  | $V_{CC}$ | mV            |
| $V_{IL}$ | Single-ended Input LOW Voltage                                  | $V_{EE}$ |  | 800      | mV            |
| $I_{IH}$ | Input HIGH Current CLKSEL, DIVSEL, $\overline{\text{EN}}$<br>MR | 40       |  | 115      | $\mu\text{A}$ |
|          |   | -10      |  | 10       |               |
| $I_{IL}$ | Input LOW Current CLKSEL, DIVSEL, $\overline{\text{EN}}$<br>MR  | -10      |  | 10       | $\mu\text{A}$ |
|          |   | -115     |  | -40      |               |

**Termination Resistors**

|           |  |    |     |     |          |
|-----------|--|----|-----|-----|----------|
| $R_{TIN}$ | Internal Input Termination Resistor (Measured across CLKx and $\overline{\text{CLKx}}$ ) | 80 | 100 | 120 | $\Omega$ |
| $R_{TIN}$ | Internal Input Termination Resistor (Measured from CLKx to VTx)                          | 40 | 50  | 60  | $\Omega$ |

NOTE: Device will meet the specifications after thermal equilibrium has been established when mounted in a test socket or printed circuit board with maintained transverse airflow greater than 500 lfm. Electrical parameters are guaranteed only over the declared operating temperature range. Functional operation of the device exceeding these conditions is not implied. Device specification limit values are applied individually under normal operating conditions and not valid simultaneously.

- LVPECL outputs require 50  $\Omega$  receiver termination resistors to  $V_{CC} - 2\text{ V}$  for proper operation.
- Input and output parameters vary 1:1 with  $V_{CC}$ .
- $V_{th}$  is applied to the complementary input when operating in single-ended mode.
- $V_{IHD}$ ,  $V_{ILD}$ ,  $V_{ID}$  and  $V_{CMR}$  parameters must be complied with simultaneously.
- $V_{CMR}$  min varies 1:1 with  $V_{EE}$ .  $V_{CMR}$  max varies 1:1 with  $V_{CC}$ . The  $V_{CMR}$  range is referenced to the most positive side of the differential input signal.

# NB4L339

**Table 8. AC CHARACTERISTICS**  $V_{CC} = 2.375\text{ V to }3.6\text{ V}$ ,  $V_{EE} = 0\text{ V}$  (Note 9)

| Symbol                   | Characteristic   | -40°C             |                 |                   | 25°C              |                 |                   | 85°C              |                 |                   | Unit      |
|--------------------------|--|-------------------|-----------------|-------------------|-------------------|-----------------|-------------------|-------------------|-----------------|-------------------|-----------|
|                          |  | Min               | Typ             | Max               | Min               | Typ             | Max               | Min               | Typ             | Max               |           |
| $f_{in\max}$             | Maximum Input CLOCK Frequency  | 700               |                 |                   | 700               |                 |                   | 700               |                 |                   | MHz       |
| $V_{OUTPP}$              | Output Voltage Amplitude (@ $V_{INPPmin}$ )<br>(See Figure 4)<br>$f_{in} \leq 622\text{ MHz}$  | 530               | 730             |                   | 530               | 730             |                   | 530               | 730             |                   | mV        |
| $t_{PLH}$ ,<br>$t_{PHL}$ | Propagation Delay to<br>Output Differential $\div 1$<br>CLKx/ $\overline{\text{CLKx}}$ to Qx/ $\overline{\text{Qx}}$<br>$\overline{\text{MR}}$ to Qx<br>CLKSEL to Qx | 0.8<br>1.2<br>0.8 | 1.0<br>–<br>1.0 | 1.3<br>5.0<br>1.3 | 0.8<br>1.2<br>0.8 | 1.0<br>–<br>1.0 | 1.3<br>5.0<br>1.3 | 0.8<br>1.2<br>0.8 | 1.0<br>–<br>1.0 | 1.3<br>5.0<br>1.3 | ns        |
| $t_{rr}$                 | Reset Recovery   | 4.0               |                 |                   | 4.0               |                 |                   | 4.0               |                 |                   | ns        |
| DCO                      | Output CLOCK Duty Cycle<br>All Divides   | 40                |                 | 60                | 40                |                 | 60                | 40                |                 | 60                | %         |
| $t_{SKEW}$               | Within Device Skew (Note 11)<br>Device to Device Skew (Note 12)  |                   | 30<br>90        | 60<br>190         |                   | 30<br>90        | 60<br>190         |                   | 30<br>90        | 60<br>190         | ps        |
| $t_s$                    | Setup Time @ 50 MHz<br>$\overline{\text{EN}}$ to CLKx<br>DIVSEL to CLKx  | 900<br>–100       |                 |                   | 900<br>–100       |                 |                   | 900<br>–100       |                 |                   | ps        |
| $t_h$                    | Hold Time @ 50 MHz<br>CLKx to $\overline{\text{EN}}$<br>CLKx to DIVSEL   | 800<br>0          |                 |                   | 800<br>0          |                 |                   | 800<br>0          |                 |                   | ps        |
| $t_{PW}$                 | Minimum Pulse Width<br>$\overline{\text{MR}}$  | 5.0               |                 |                   | 5.0               |                 |                   | 5.0               |                 |                   | ns        |
| $\Phi_N$                 | Phase Noise<br>$f_{in} = 622.08\text{ MHz}$<br>Outputs (A) Div by 1<br>10 kHz<br>100 kHz<br>1 MHz<br>10 MHz<br>20 MHz<br>40 MHz                                      |                   |                 |                   |                   |                 |                   |                   |                 |                   | dBc       |
| $t_{JIT1}$               | Integrated Phase Jitter (Figure 4)<br>$f_{in} = 622.08\text{ MHz}$ , 12 kHz – 20 MHz Offset<br>All Divides   |                   | 0.15            | 0.25              |                   | 0.15            | 0.25              |                   | 0.15            | 0.25              | ps<br>RMS |
| $t_{JIT2}$               | Random Clock Period Jitter (Note 13)<br>$f_{in} = 622.08\text{ MHz}$<br>All Divides  |                   | 0.5             | 1.5               |                   | 0.5             | 1.5               |                   | 0.5             | 1.5               | ps<br>RMS |
| $V_{INPP}$               | Input Voltage Swing/Sensitivity<br>(Differential Configuration) (Note 14)  | 150               |                 |                   | 150               |                 |                   | 150               |                 |                   | mV        |
| $t_r$ , $t_f$            | Output Rise/Fall Times @ 622.08 MHz<br>input frequency (20% – 80%)   |                   | 150             | 250               |                   | 150             | 250               |                   | 150             | 250               | ps        |

NOTE: Device will meet the specifications after thermal equilibrium has been established when mounted in a test socket or printed circuit board with maintained transverse airflow greater than 500 lfm. Electrical parameters are guaranteed only over the declared operating temperature range. Functional operation of the device exceeding these conditions is not implied. Device specification limit values are applied individually under normal operating conditions and not valid simultaneously.

9. Measured by forcing  $V_{INPP}$  (Min) from a 50% duty cycle clock source. All loading with an external  $R_L = 50\ \Omega$  to  $V_{CC} - 2\text{ V}$  Input edge rates 100 ps (20% – 80%).

10. Duty cycle skew is measured between differential outputs using the deviations of the sum of  $T_{pw-}$  and  $T_{pw+}$  @ 50 MHz.

11. Skew is measured between outputs under identical transitions and conditions. Duty cycle skew is defined only for differential operation when the delays are measured from the cross-point of the inputs to the cross-point of the outputs.

12. Device to device skew is measured between outputs under identical transition @ 50 MHz.

13. Additive RMS jitter with 50% duty cycle clock signal; all inputs and outputs active.

14.  $V_{INPP}$  (Max) cannot exceed  $V_{CC} - V_{EE}$ . Input voltage swing is a single-ended measurement operating in differential mode.

# NB4L339

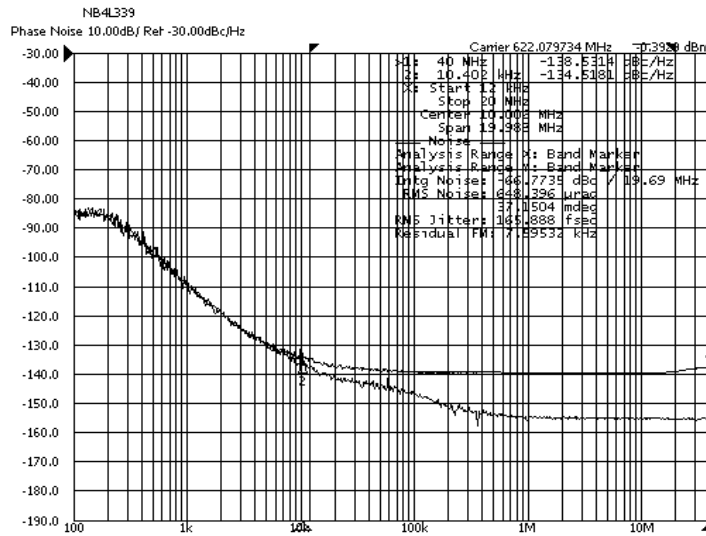


Figure 4. NB4L339 vs. Agilent 8665A 622.08 MHz at 3.3 V, Room Ambient

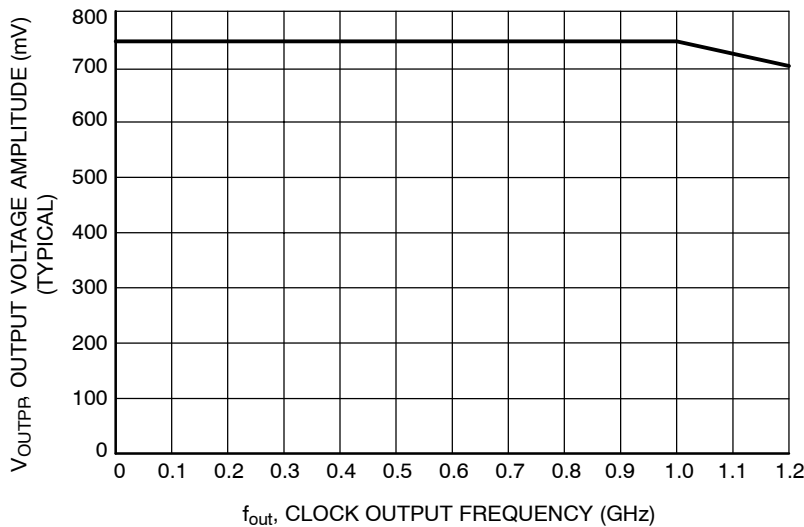


Figure 5. Output Voltage Amplitude ( $V_{OUTPP}$ ) vs. Input Clock Frequency ( $f_{in}$ ) at Ambient Temperature (Typical)

## Application Information

The NB4L339 is a high-speed, Clock multiplexer, divider and low skew fan-out buffer featuring a 2:1 Clock multiplexer front end and outputs a selection of four different divide ratios;  $\div 1/2/4/8$ . One divide block has a choice of  $\div 1$  or  $\div 2$ . The outputs of all four divider blocks are fanned-out to two pair of identical differential LVPECL copies of the selected clock. All outputs provide standard LVPECL voltage levels when externally terminated with a 50-ohm resistor to  $V_{TT} = V_{CC} - 2$  V.

The differential Clock input buffers incorporate internal 50- $\Omega$  termination resistors in a 100- $\Omega$  center-tapped configuration and are accessible via a VTx pin. This feature provides transmission line termination on-chip, at the receiver end, eliminating external components. Inputs CLKA/B and  $\overline{CLKA/B}$  must be signal driven or auto oscillation may result.

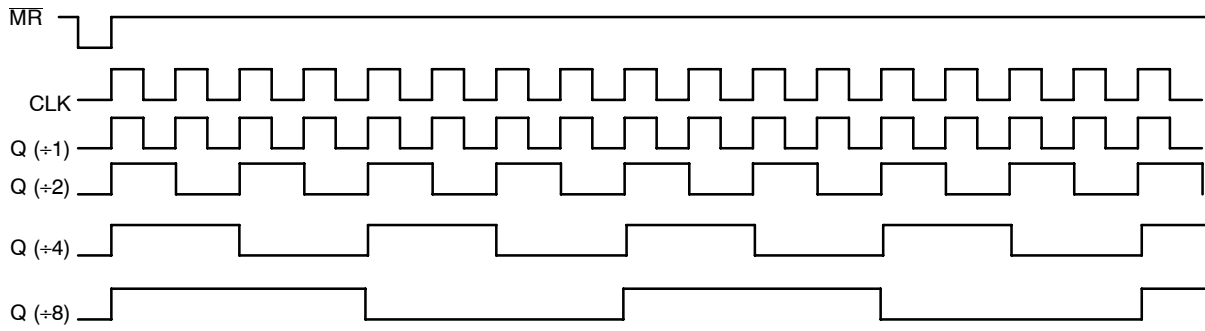
The NB4L339 Clock inputs can be driven by a variety of differential signal level technologies including LVDS, LVPECL, or CML.

The internal dividers are synchronous to each other. Therefore, the common output edges are precisely aligned.

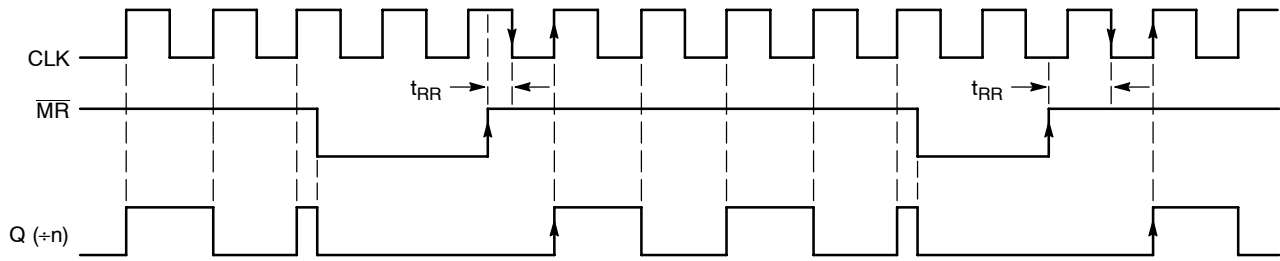
The Output Enable pin ( $\overline{EN}$ ) is synchronous so that the internal divider flip-flops will only be enabled/disabled when the internal clock is in the LOW state. This avoids any chance of generating a runt pulse on the internal clock when the device is enabled/disabled, as can happen with an asynchronous control. The internal enable flip-flop is clocked on the falling edge of the input clock. Therefore, all associated specification limits are referenced to the negative edge of the clock input.

The Master Reset ( $\overline{MR}$ ) is asynchronous. When  $\overline{MR}$  is forced LOW, all Q outputs go to logic LOW.

# NB4L339

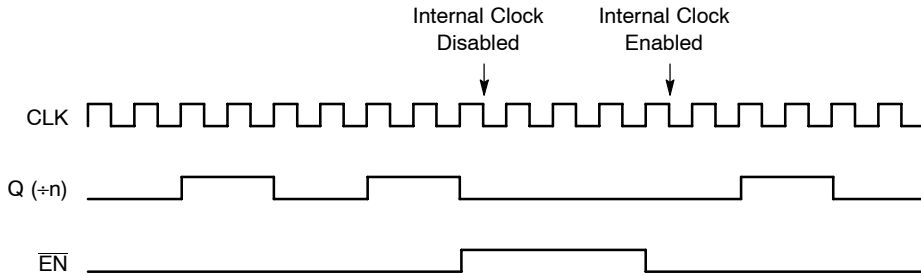


**Figure 6. Timing Diagram**



NOTE: On the rising edge of  $\overline{MR}$ , Q goes HIGH after the first rising edge of CLK, following a high-to-low clock transition.

**Figure 7. Master Reset Timing Diagram**



**Figure 8. Output Enable Timing Diagrams**

The  $\overline{EN}$  signal will “freeze” the internal divider flip-flops on the first falling edge of CLK after its assertion. The internal divider flip-flops will maintain their state during the freeze. When  $\overline{EN}$  is deasserted (LOW), and after the next

falling edge of CLK, then the internal divider flip-flops will “unfreeze” and continue to their next state count with proper phase relationships.



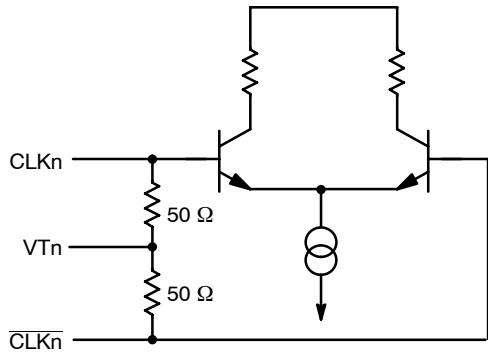


Figure 9. Input Structure

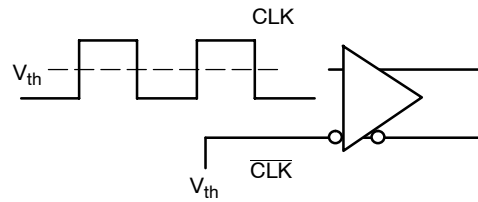


Figure 10. Differential Input Driven Single-Ended

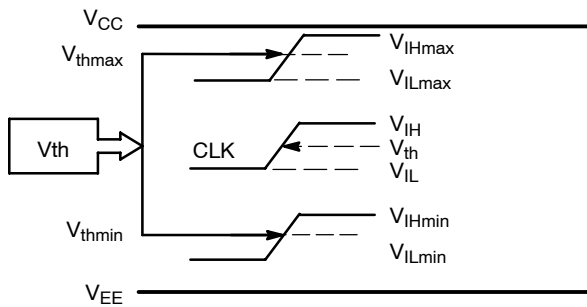


Figure 11.  $V_{th}$  Diagram

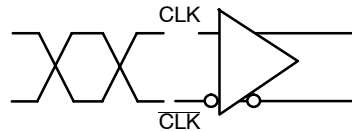


Figure 12. Differential Inputs Driven Differentially

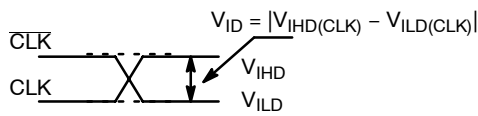


Figure 13. Differential Inputs Driven Differentially

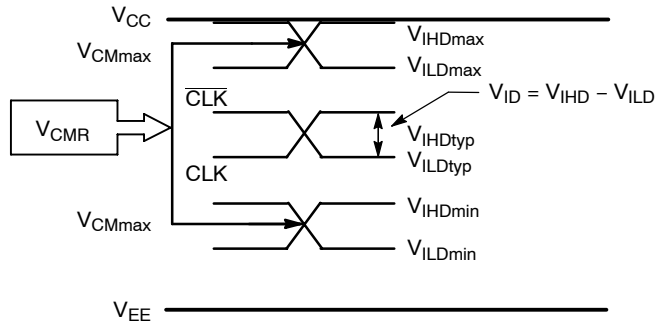
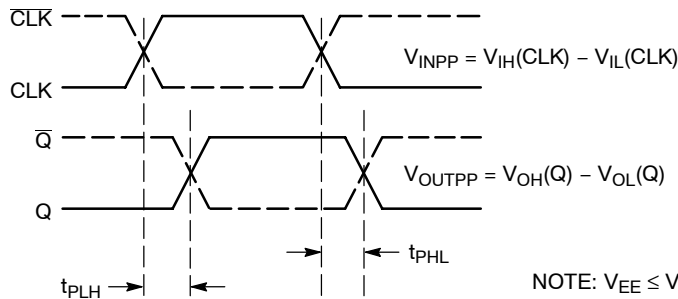


Figure 14. VCMR Diagram



NOTE:  $V_{EE} \leq V_{IN} \leq V_{CC}$ ;  $V_{IH} > V_{IL}$

Figure 15. AC Reference Measurement

# NB4L339

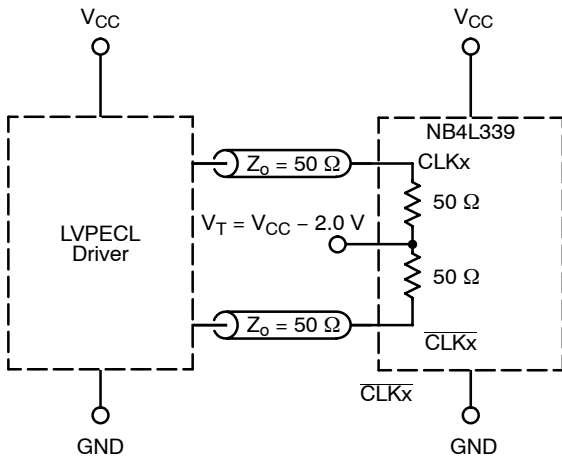


Figure 16. LVPECL Interface

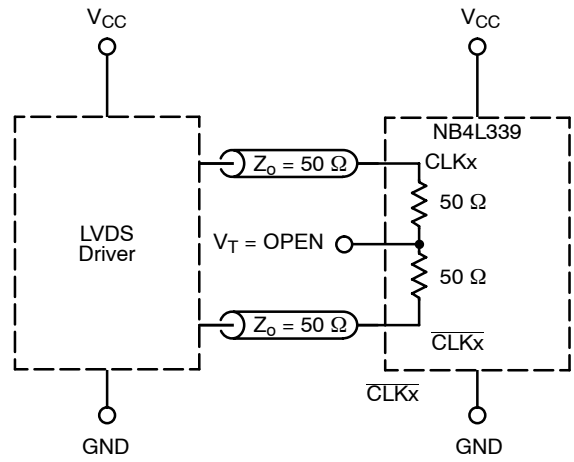


Figure 17. LVDS Interface

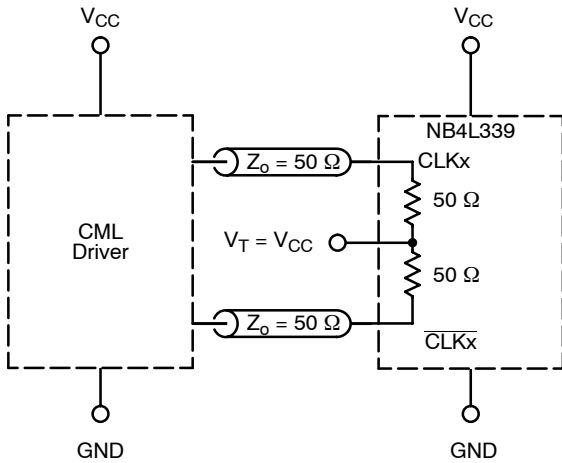


Figure 18. Standard 50  $\Omega$  Load CML Interface

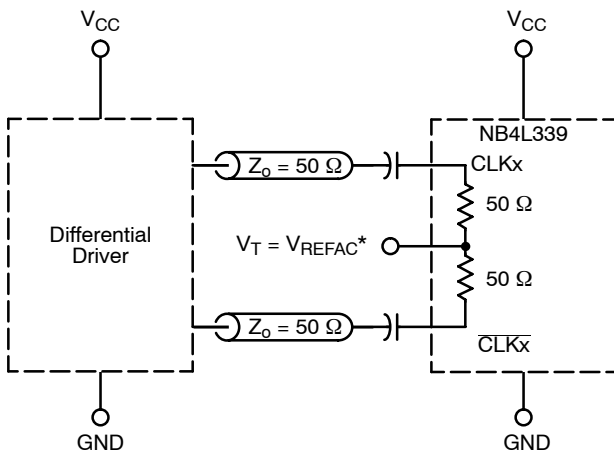


Figure 19. Capacitor-Coupled Differential Interface ( $V_T$  Connected to External  $V_{REFAC}$ )

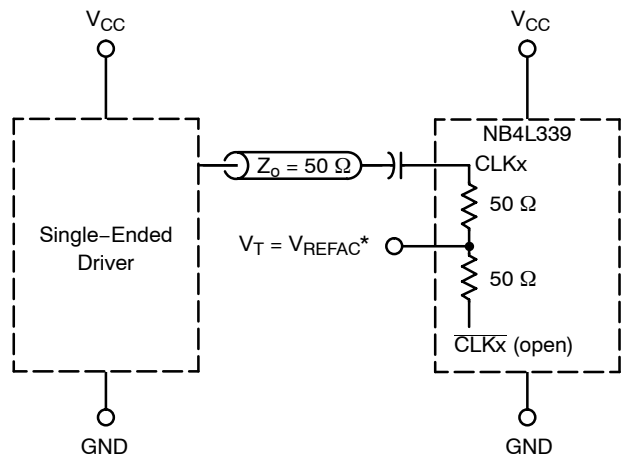
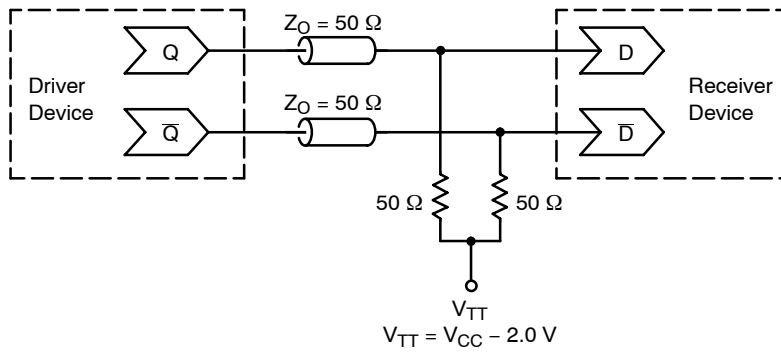


Figure 20. Capacitor-Coupled Single-Ended Interface ( $V_T$  Connected to External  $V_{REFAC}$ )

\* $V_{REFAC}$  bypassed to ground with a 0.01  $\mu\text{F}$  capacitor.

## NB4L339



**Figure 21. Typical Termination for Output Driver and Device Evaluation**  
 (See Application Note AND8020/D – Termination of ECL Logic Devices)

### ORDERING INFORMATION

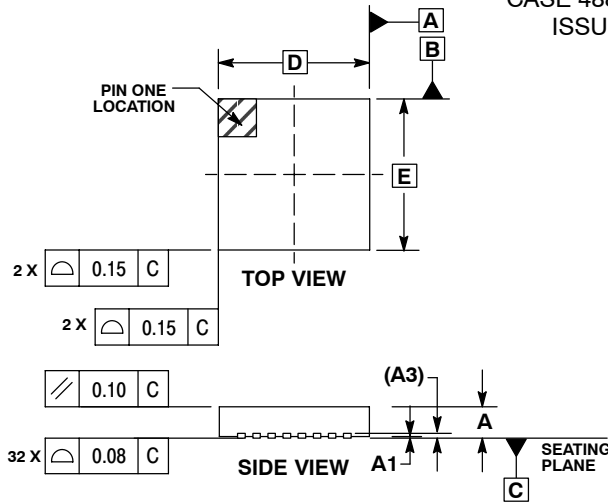
| Device       | Package             | Shipping <sup>†</sup> |
|--------------|---------------------|-----------------------|
| NB4L339MNG   | QFN-32<br>(Pb-free) | 74 Units / Tray       |
| NB4L339MNR2G | QFN-32<br>(Pb-free) | 1000 / Tape & Reel    |

\*For additional information on our Pb-Free strategy and soldering details, please download the ON Semiconductor Soldering and Mounting Techniques Reference Manual, SOLDERRM/D.

# NB4L339

## PACKAGE DIMENSIONS

QFN32 5\*5\*1 0.5 P  
CASE 488AM-01  
ISSUE O

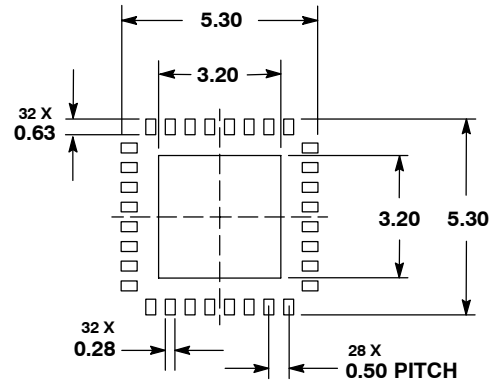


### NOTES:

1. DIMENSIONS AND TOLERANCING PER ASME Y14.5M, 1994.
2. CONTROLLING DIMENSION: MILLIMETERS.
3. DIMENSION b APPLIES TO PLATED TERMINAL AND IS MEASURED BETWEEN 0.25 AND 0.30 MM TERMINAL.
4. COPLANARITY APPLIES TO THE EXPOSED PAD AS WELL AS THE TERMINALS.

| MILLIMETERS |           |       |       |
|-------------|-----------|-------|-------|
| DIM         | MIN       | NOM   | MAX   |
| A           | 0.800     | 0.900 | 1.000 |
| A1          | 0.000     | 0.025 | 0.050 |
| A3          | 0.200 REF |       |       |
| b           | 0.180     | 0.250 | 0.300 |
| D           | 5.00 BSC  |       |       |
| D2          | 2.950     | 3.100 | 3.250 |
| E           | 5.00 BSC  |       |       |
| E2          | 2.950     | 3.100 | 3.250 |
| e           | 0.500 BSC |       |       |
| K           | 0.200     | ---   | ---   |
| L           | 0.300     | 0.400 | 0.500 |

### SOLDERING FOOTPRINT\*



\*For additional information on our Pb-Free strategy and soldering details, please download the ON Semiconductor Soldering and Mounting Techniques Reference Manual, SOLDERRM/D.

ON Semiconductor and are registered trademarks of Semiconductor Components Industries, LLC (SCILLC). SCILLC reserves the right to make changes without further notice to any products herein. SCILLC makes no warranty, representation or guarantee regarding the suitability of its products for any particular purpose, nor does SCILLC assume any liability arising out of the application or use of any product or circuit, and specifically disclaims any and all liability, including without limitation special, consequential or incidental damages. "Typical" parameters which may be provided in SCILLC data sheets and/or specifications can and do vary in different applications and actual performance may vary over time. All operating parameters, including "Typicals" must be validated for each customer application by customer's technical experts. SCILLC does not convey any license under its patent rights nor the rights of others. SCILLC products are not designed, intended, or authorized for use as components in systems intended for surgical implant into the body, or other applications intended to support or sustain life, or for any other application in which the failure of the SCILLC product could create a situation where personal injury or death may occur. Should Buyer purchase or use SCILLC products for any such unintended or unauthorized application, Buyer shall indemnify and hold SCILLC and its officers, employees, subsidiaries, affiliates, and distributors harmless against all claims, costs, damages, and expenses, and reasonable attorney fees arising out of, directly or indirectly, any claim of personal injury or death associated with such unintended or unauthorized use, even if such claim alleges that SCILLC was negligent regarding the design or manufacture of the part. SCILLC is an Equal Opportunity/Affirmative Action Employer. This literature is subject to all applicable copyright laws and is not for resale in any manner.

### PUBLICATION ORDERING INFORMATION

**LITERATURE FULFILLMENT:**  
Literature Distribution Center for ON Semiconductor  
P.O. Box 5163, Denver, Colorado 80217 USA  
Phone: 303-675-2175 or 800-344-3860 Toll Free USA/Canada  
Fax: 303-675-2176 or 800-344-3867 Toll Free USA/Canada  
Email: orderlit@onsemi.com

**N. American Technical Support:** 800-282-9855 Toll Free  
USA/Canada  
**Europe, Middle East and Africa Technical Support:**  
Phone: 421 33 790 2910  
**Japan Customer Focus Center**  
Phone: 81-3-5773-3850

**ON Semiconductor Website:** [www.onsemi.com](http://www.onsemi.com)  
**Order Literature:** <http://www.onsemi.com/orderlit>

For additional information, please contact your local Sales Representative